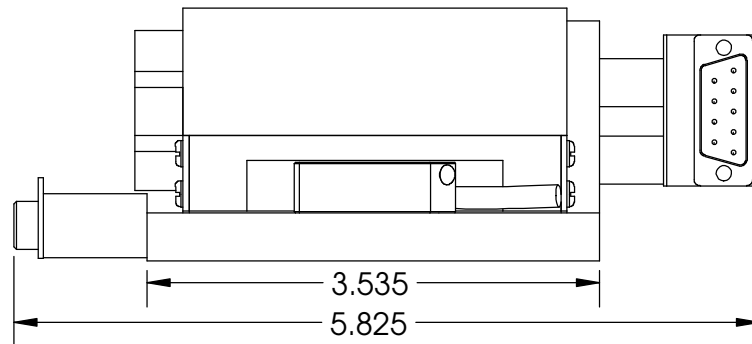
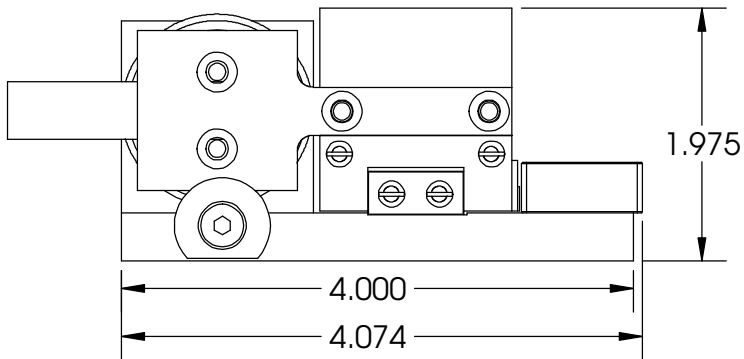
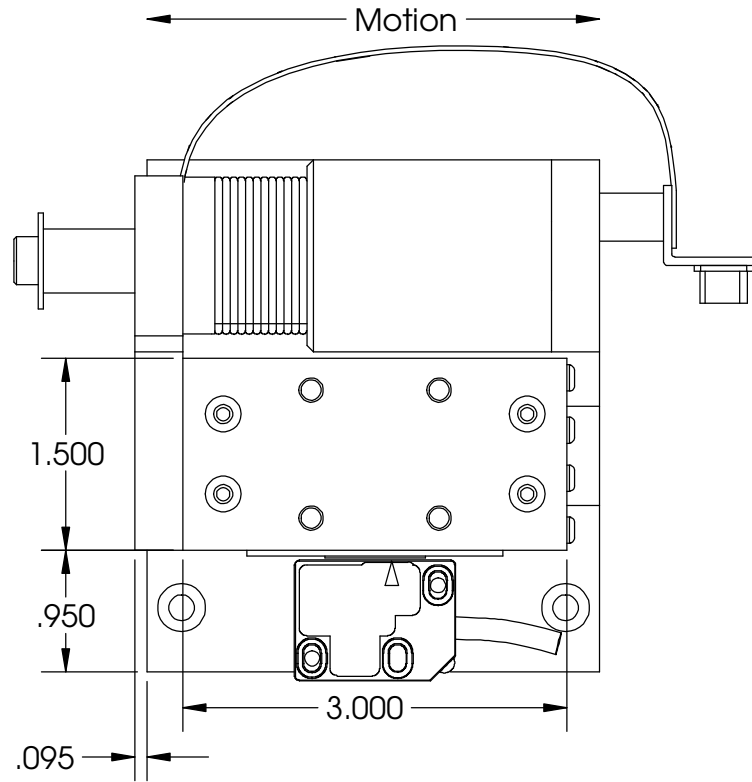


These drawings and specifications are the property of H2W Technologies, Inc. They are issued in confidence and shall not be reproduced, copied, or used without written permission from H2W Technologies, Inc. (www.h2wtech.com)

REVISION TABLE						
REV	ECN#	DESCRIPTION		REV BY	APPROVED	DATE
---	---	Original Drawing		OOG	MPW	4-13-12



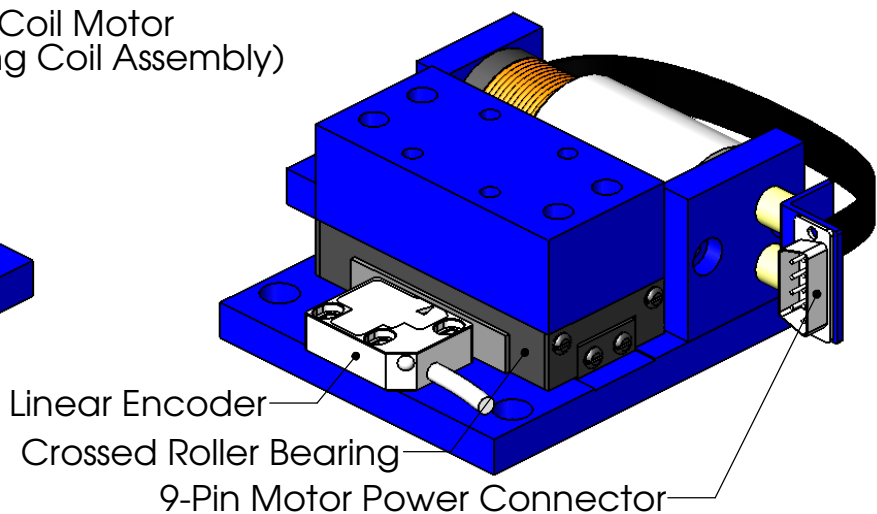
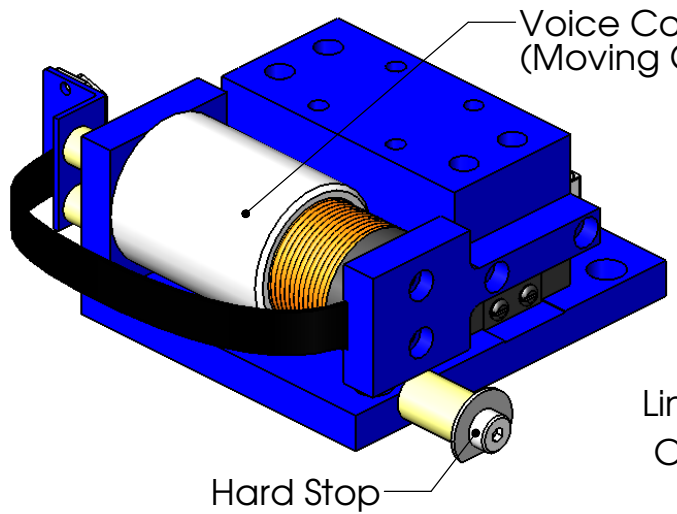
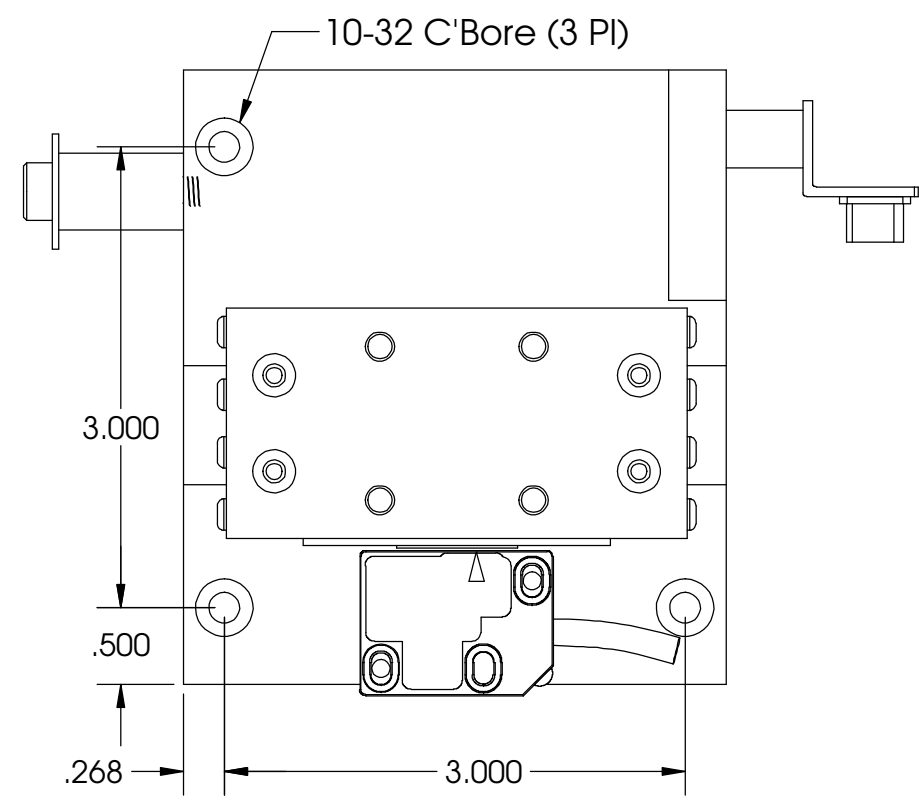
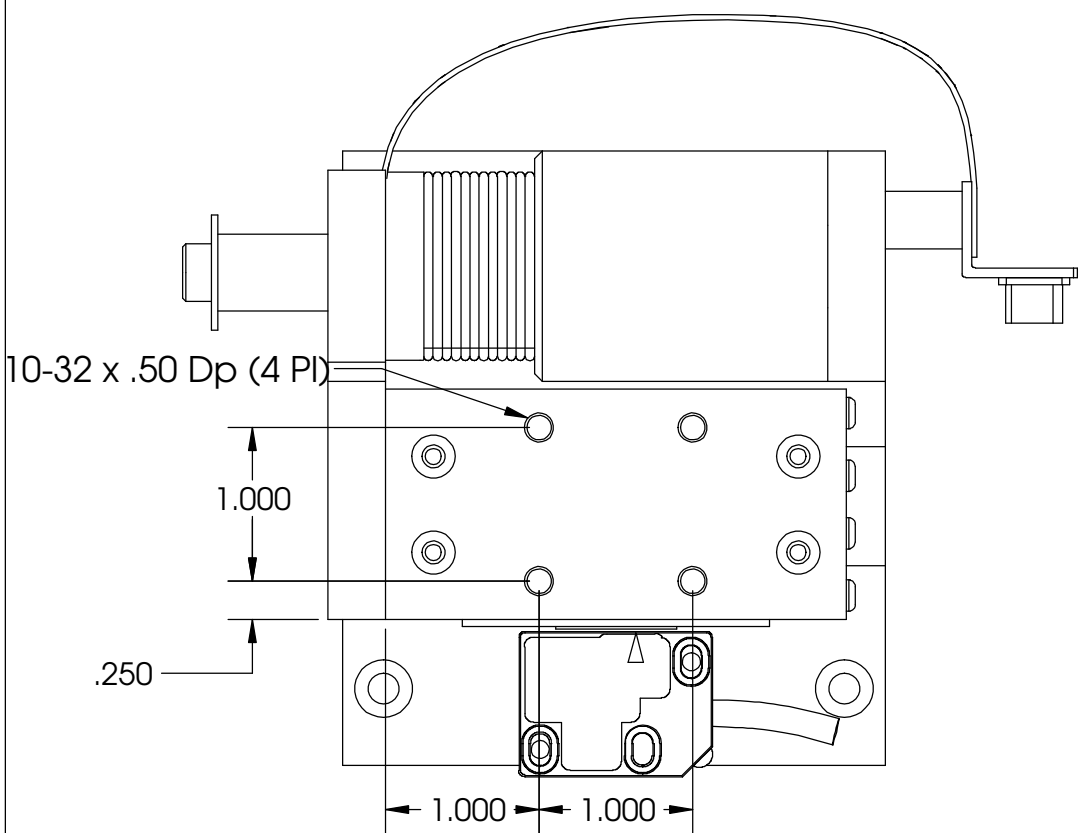
MOTOR SHOWN AT MID-STROKE

UNLESS SPECIFIED OTHERWISE: All dimensions are in inches Standard Tolerances are as follows .XXX ±.005 ANGLES ±1° .XX ±.010 FILLETS .010 X ±.020 CORNERS .010 Remove All Burs and Sharp Edges				MATERIAL		TITLE	
				FINISH		<b>Voice Coil Positioning Stage</b> <b>Model #: VCS14-020-CR-01-MCS</b>	
DRAWN	DATE	APPROVED	DATE	DWG #	REV	SHEET	
OOG	4-13-12	MPW	4-13-12	<b>31-0332</b>	---	1 of 4	

**H2W Technologies, Inc.**  
 26470 Ruether Ave #102 Santa Clarita, CA 91350 USA  
 Tel: (661) 251-2081 Fax: (661) 251-2067  
 www.h2wtech.com

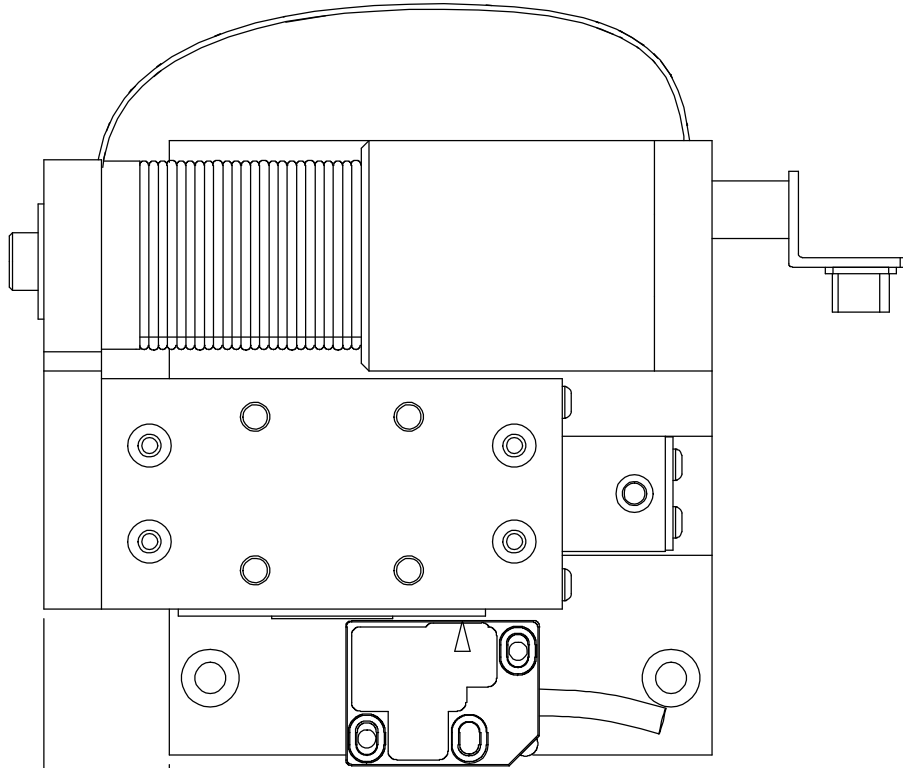
PAYLOAD MOUNTING HOLES

MOTOR HAS BEEN HIDDEN TO SHOW MOUNTING HOLES



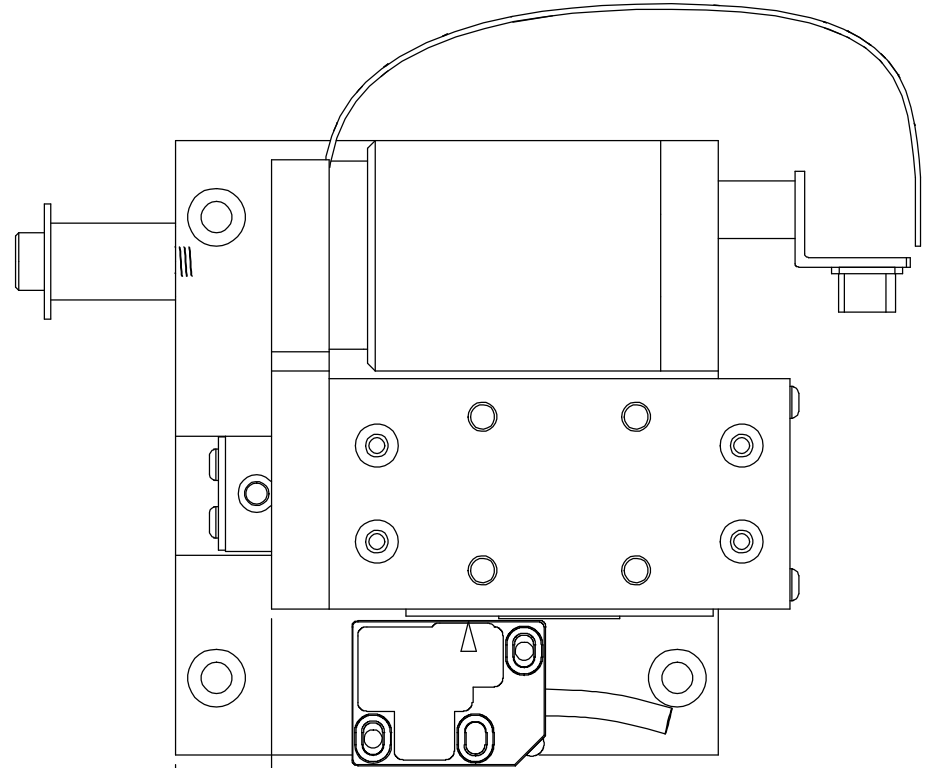
TITLE		
Voice Coil Positioning Stage		
Model #: VCS14-020-CR-01-MCS		
DWG #	REV	SHEET
31-0332	---	2 of 4

EXTENDED

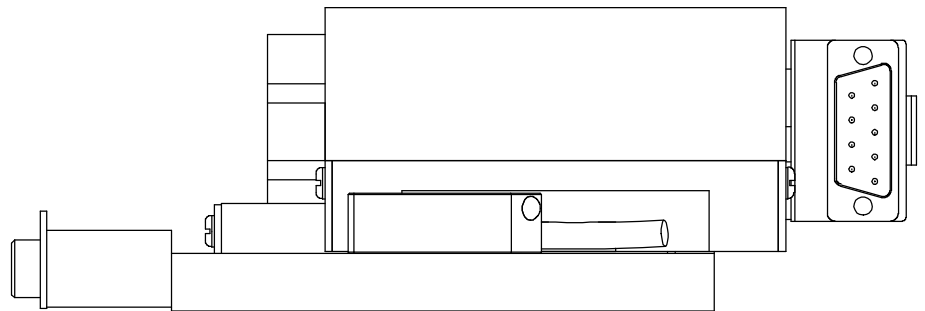
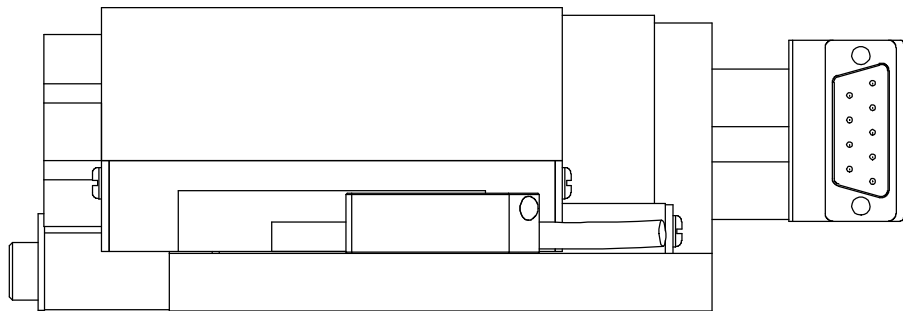


.815

RETRACTED



.625



TITLE	Voice Coil Positioning Stage Model #: VCS14-020-CR-01-MCS		
DWG #	31-0332	REV	---
		SHEET	3 of 4

<b>VOICE COIL POSITIONING STAGE SPECIFICATIONS</b>		
Motor P/N	NCC14-15-020-1X	
Stroke	1.44"	36.6 mm
Encoder Resolution	1 micron	
Bearing Type	Crossed Roller	
Moving Mass	0.80 lbs	363 grams
Total Mass	2.26 lbs	1026 grams
Resistance @ 20C	4.6 ohms	
Inductance @ 20C	2.8 mH	
Electrical Time Constant	0.60 msec	
Motor Constant	0.64 LBS/SQRT(Watt)	2.85 N/SQRT(Watt)
Force Constant	1.4 LBS/Amp	6.2 N/Amp
Back EMF	0.16 V/ips	6.2 V/m/sec
Continuous Force	2.0 LBS	8.9 N
Max Power @ 100% Duty	10 Watts	
Peak Force	6.0 LBS	26.7 N
Max Power @ 10% Duty	88 Watts	